

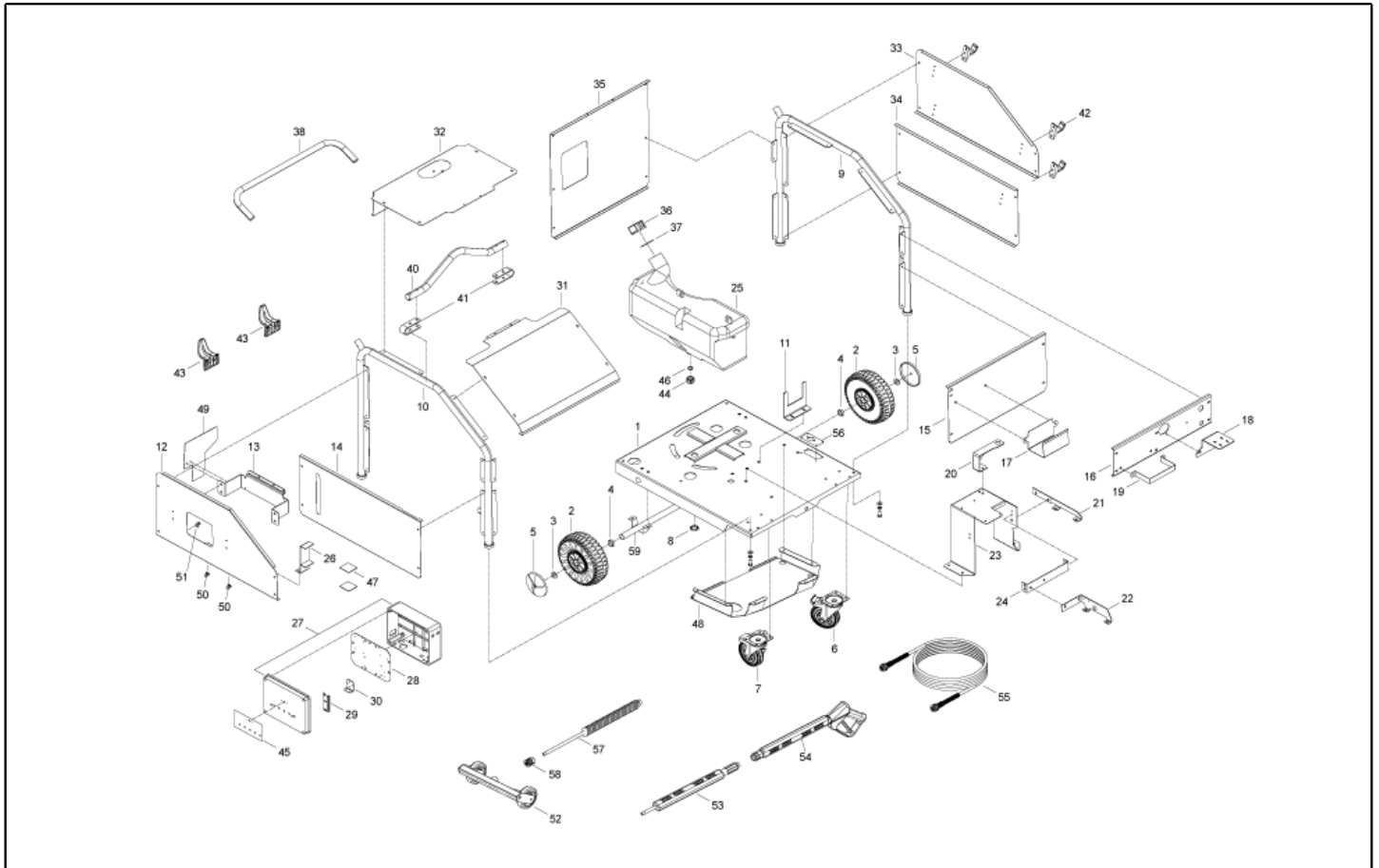


**IPC**

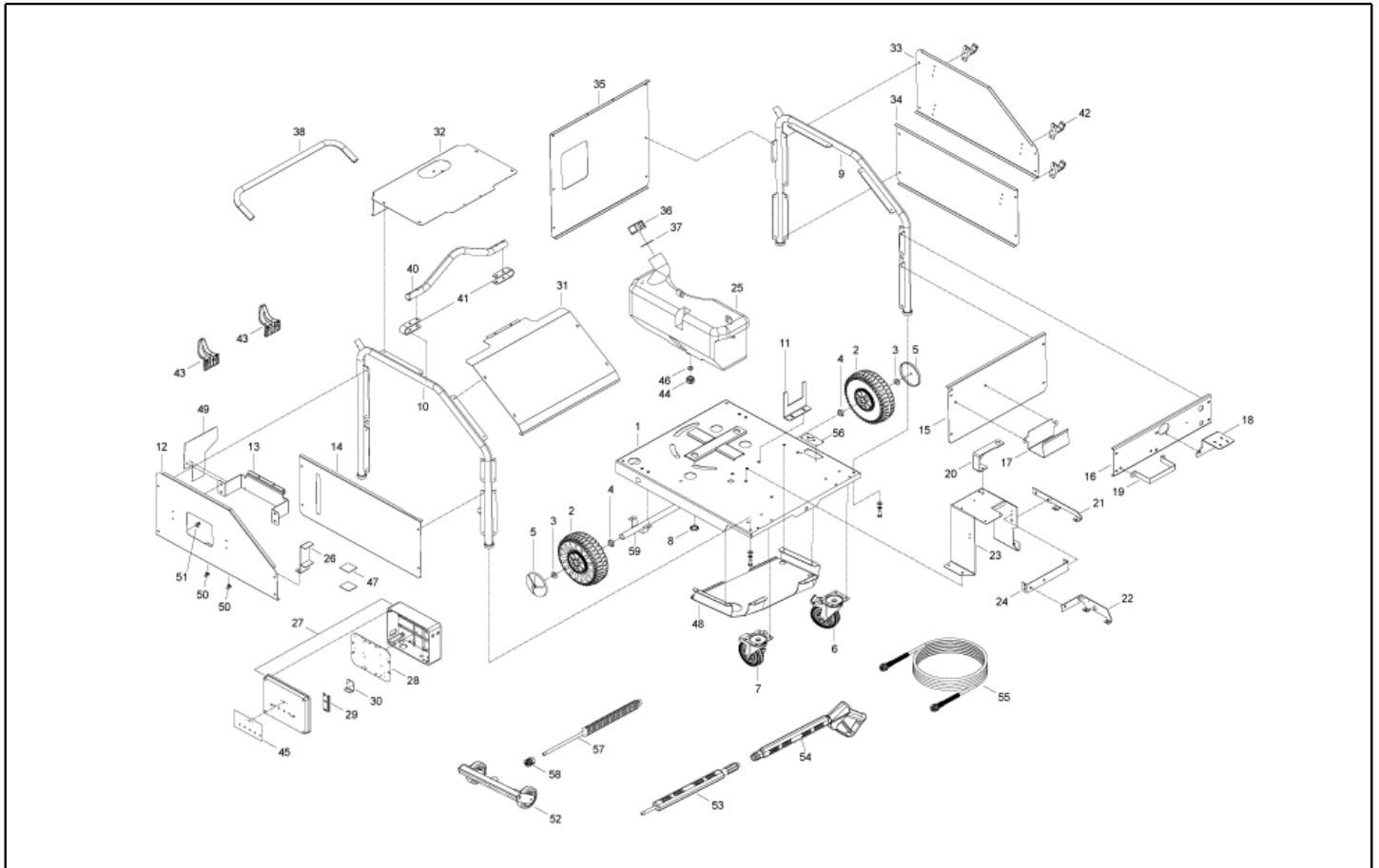
**Spare parts list**

Ref: GNVA40078

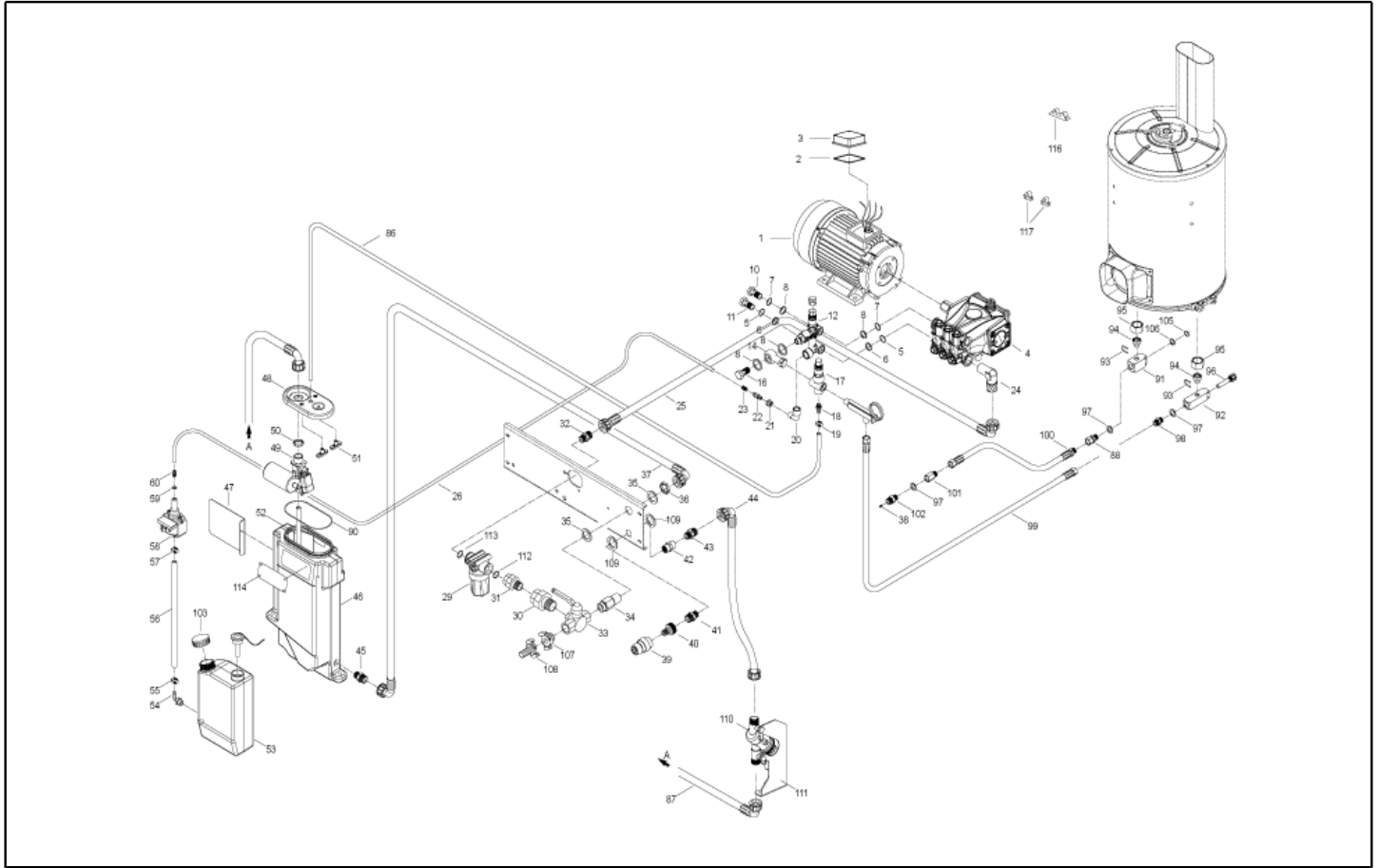
Model: GENERATOR GREEN JT.7510 M230/50 IPC



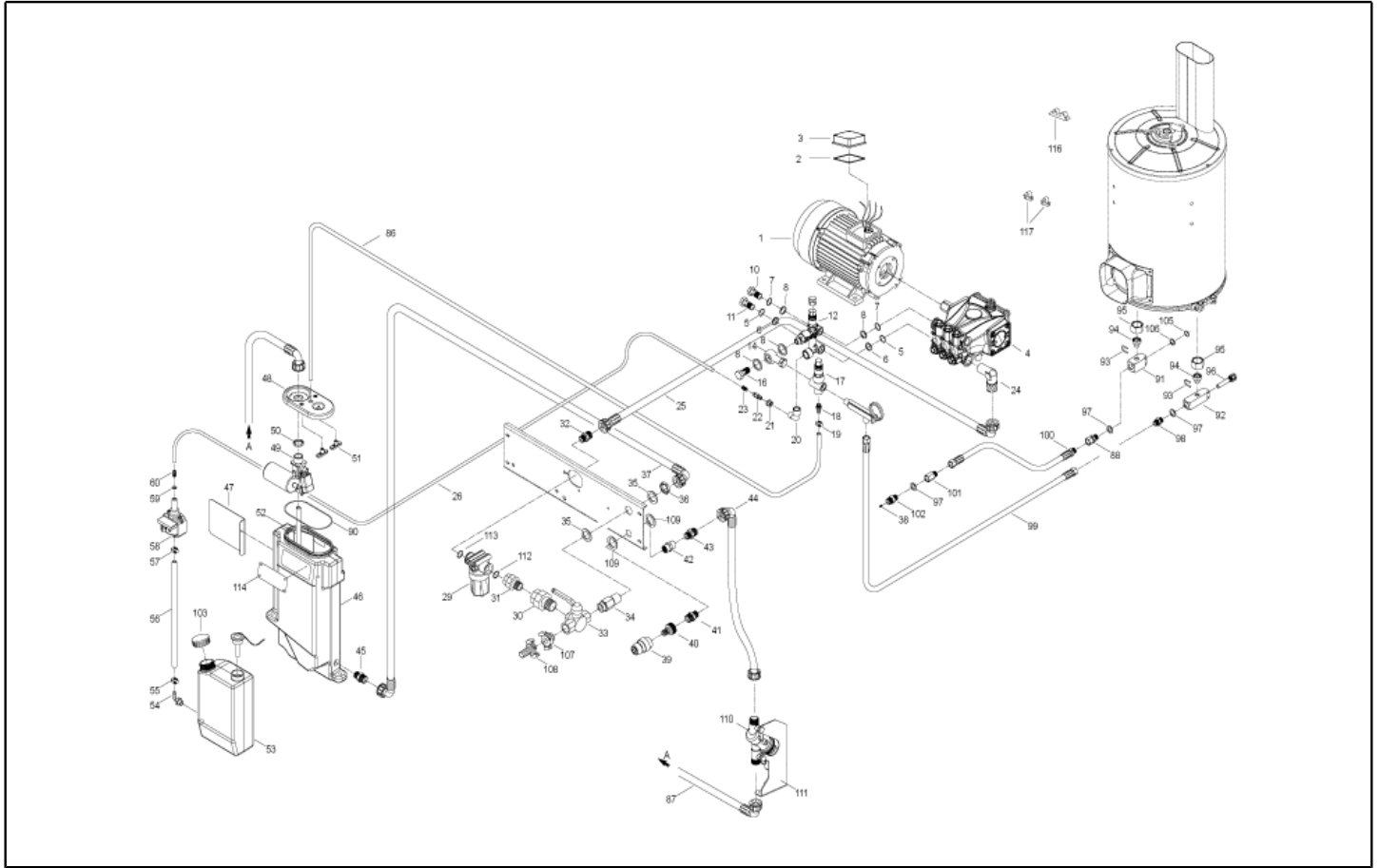
Ref. K	Part n.	Part n. 2	Description	Quantity	Validity		Price
					From	To	
0001	LAFN41277		TROLLEY GREEN JT. Skid BK.	1,00			--
0002	RTRT40002		WHEEL D.260 3.00-4 D.25 S.PI.NY	2,00			--
0003	VTRS09813		WASHER D.25	2,00			--
0004	MPVR29447		SPACER D. 26-30 L=10 PVC	2,00			--
0005	MPVR28995		GREY HUB CAP D. 110	2,00			--
0006	RTRT13708		TURNING WHEEL D.125 P. MZ.PLS	1,00			--
0007	RTRT07480		TURNING WHEEL D.125 P.MZ.PLS.	1,00			--
0008	RCDS21120		RING NUT M 26 X 1,5	2,00			--
0009	LAFN41184		TUBULAR FRAME GREEN JT. SX 2V.	1,00			--
0010	LAFN41183		TUBULAR FRAME GREEN JT. DX 2V.	1,00			--
0011	GUVR13437		EDGE H=10	0,32			--
0012	LAFN41079		LAT. PANEL GREEN JT. DX AL.	1,00			--
0013	LAFN41092		SUPPORT BRACKET GREEN JT. ZC	1,00			--
0014	LAFN41077		LAT. PANEL GREEN JT. DX BK.	1,00			--
0015	LAFN41071		ANT. PANEL GREEN JT. IF.BLK	1,00			--
0016	LAFN41261		ANT. PANEL GREEN 4010 SP.AL.	1,00			--
0017	LAFN41098		SUPPORT BRACKET GREEN JT.BK.	1,00			--
0018	LAFN41259		FILTER BRACKET GREEN 40 AL.	1,00			--
0019	LAFN41083		BRACKET GREEN JT. A.CLC.AL.	1,00			--
0021	LAFN41096		BRACKET GREEN JT. DX ZC.	1,00			--
0022	LAFN41095		BRACKET GREEN JT. SX ZC.	1,00			--
0023	LAFN41275		MOTOR SUPPORT GREEN JT.4010 ZC.	1,00			--
0024	LAFN41276		SPACER GREEN JT.4010 ZC.	1,00			--
0025	MPVR47226		FUEL TANK FUT.2 PEHD.NT	1,00			--
0026	LAFN43558		SUPPORT STEAM.JT.7140T	1,00			--
0027	MEVR40243		BOX GWS 240X190X90 GREEN.JT.	1,00			--
0028	LAFN41088		PLATE GREEN.JT ZC.	1,00			--
0029	LAFN40534		SUPPORT L.86 P176	1,00			--
0030	LAFN40279		SUPPORT BRACKET SV.2900 ZC.	1,00			--
0031	LAFN41085		COVERING GREEN JT. AL.	1,00			--
0032	LAFN41141		COVERING GREEN JT. PST AL.	1,00			--
0033	LAFN41075		LAT. PANEL GREEN JT. SX AL.	1,00			--
0034	LAFN41143		LAT. PANEL GREEN JT. SX	1,00			--
0035	LAFN41177		BACK PANEL GREEN JT. AL.	1,00			--
0036	MPVR11192		TANK CAP FLL	1,00			--
0037	GUGO11707		GASKET FLL POR2986	1,00			--
0038	LAFN41188		HANDLE GREEN JET 2V.	1,00			--
0043	MPVR80139		HOSE REEL H110	2,00			--
0044	PVVR11806		DISCHARGE CAP FLL	1,00			--
0045	ETET41353		LABEL GREEN JT. IPC PLC.	1,00			--
0046	GUGO11489		GASKET D.22X1,5	1,00			--
0047	MPVR41927		SUPPORT BT500/8 A.TE	2,00			--
0048	LAFN41210		PROTECTION GREEN JT. BK	1,00			--
0049	LAFN41191		PROTECTION TRASF. AT GR.JT	1,00			--



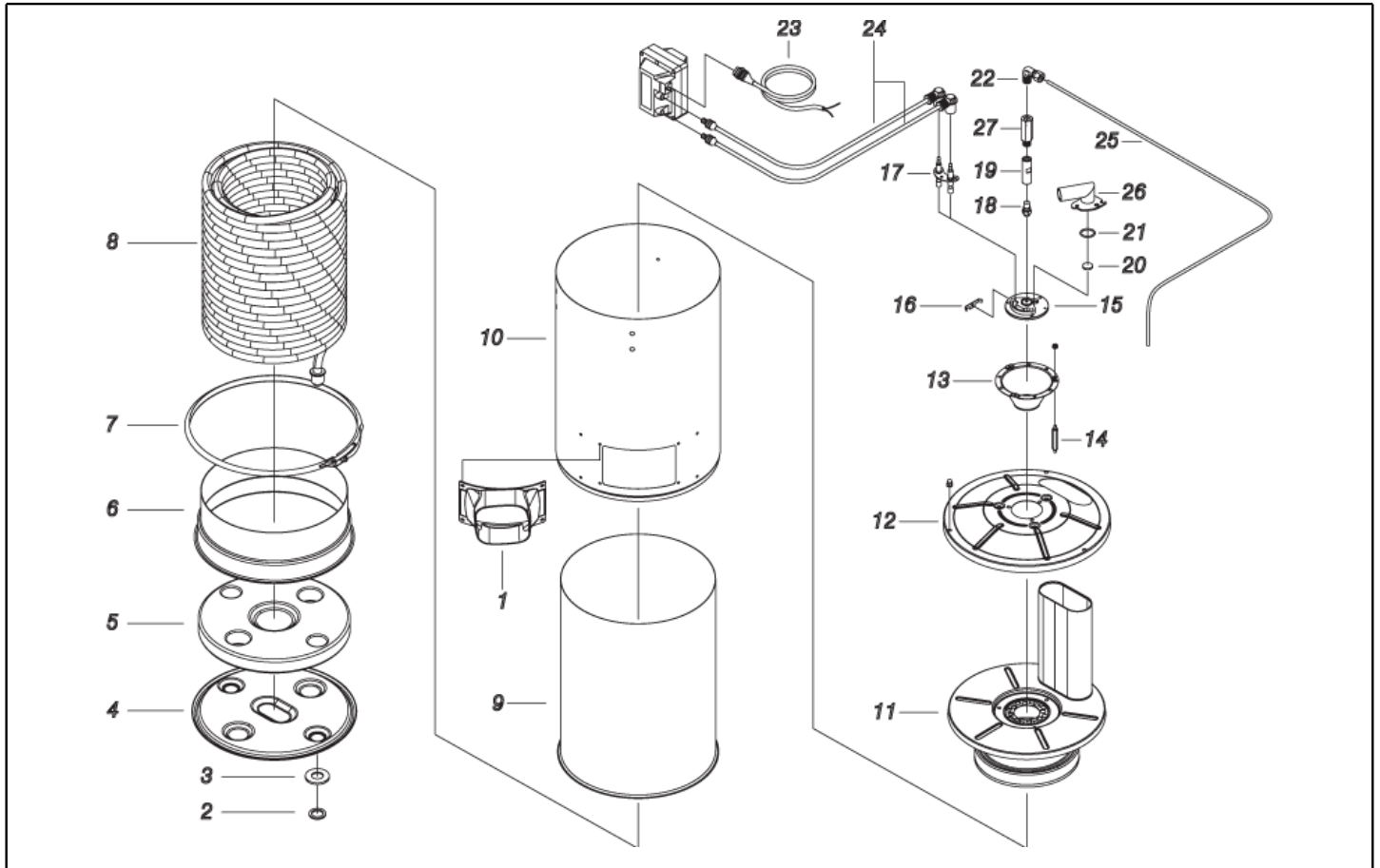
Ref. K	Part n.	Part n. 2	Description	Quantity	Validity		Price
					From	To	
0050	MEVR23548		CLIP KSM	2,00			--
0052	LCLC40026		LANCE L= 50 L 35 +PRT.-1/4+M22	1,00			--
0053	LCPR89117		DOUBLE EXTENS. PD 70 M22 M -1/4F INX MV	1,00			--
0054	IPPR40025		GRIP G 6000+P.330 +M22 SW.M 2V	1,00			--
0055	TBAP40229		H.P. HOSE 1/ 4 250B 10MT C/2 IRV ZC	1,00			--
0056	RCIN03752		MALE COUPLING 1/4FA	1,00	10/01/2020		--
0057	LCLC40023		ACCESSORY WEEDLESS L-030 +IRV WH.	1,00			--
0059	LAFN41323		TROLLEY AXLE GREEN JT.SKID BK	1,00			--



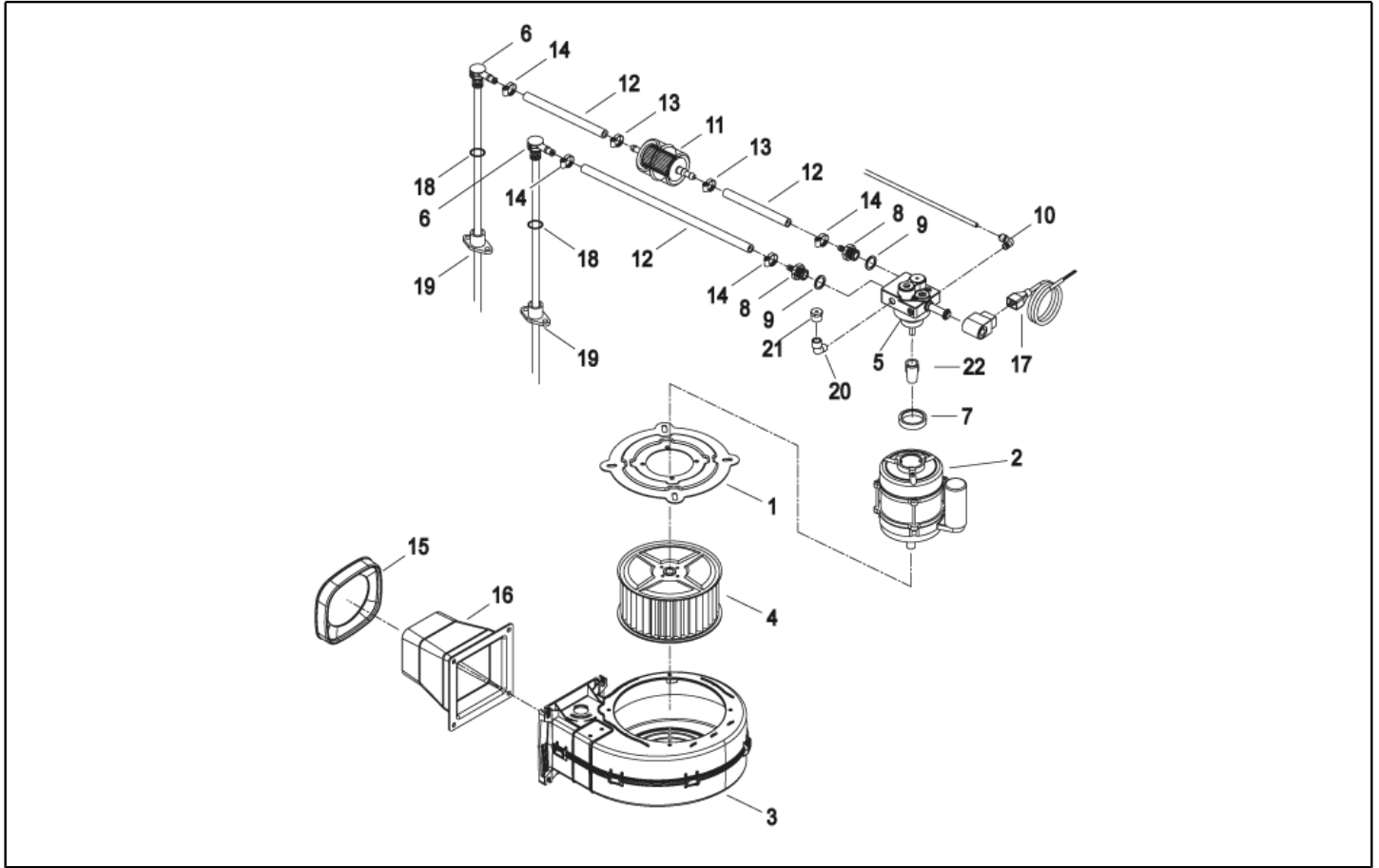
Ref. K	Part n.	Part n. 2	Description	Quantity	Validity		Price
					From	To	
0001	MOMO40013		1PH MOTOR B3-B14/AC HP 3 230-504P	1,00			--
0002	GUGO10881		GASKET M.EL. 73X73	1,00			--
0003	MEVR40302		TERM.BOARDCOVER MP80/112 GRN.75	1,00			--
0004	PPAP40092		PUMP RC 10.12 SX N	1,00			--
0005	GUGO01048		O-RING D. 15.88 X 2.62 NBR 70SH	2,00			--
0006	VTRS00549		WASHER D.21,5X27X1,5 (1/2) RM	1,00			--
0007	GUGO03510		O-RING D. 12.37 X 2.62 NBR 70SH	2,00			--
0008	VTRS00548		WASHER D.17,5X23X1,5 (3/8)RM	1,00			--
0010	RCDS40172		SCREW 3/8 VRF-2 OT 4F.	1,00			--
0011	RCDS40171		SCREW G 1/2 VRF-2 OT. 2F.	1,00			--
0012	VVAZ40097		VALVE VRF-2 AR-R PPR S/I. 3/8F	1,00			--
0014	RCDS15150		CONNECTOR O. 3/8 - G3/8M L=28.5	1,00			--
0016	RCDS01371		SCREW G 3/8 A.P.	1,00			--
0017	VVSC40025		VALVE SVT117 170B. LT.25 G 3/8"	1,00			--
0018	RCDS03514		HOSE FITTING 3/8 M D. 5- 7	1,00			--
0020	RCVR40153		ELBOW 3/4"-1/2" M OT.	1,00			--
0021	RCDS46197		REDUCTION 1/2-1/8 M/F OT CH.24	1,00			--
0022	VVSF43615		VALVE 1/8M-F OT. VIT. 250°C	1,00			--
0023	RCVR14043		CONNECTOR DTT 1/8" M C1 D. 6/ 4 NIK	1,00			--
0024	RCVR00575		ELBOW 1/2" M/F A10	1,00			--
0025	TBBP40142		L.P. HOSE L=590 3/4F90° -3/4F90°	1,00			--
0026	TBBP11756		L.P. HOSE D. 4- 6 RILSAN NTR	0,43			--
0029	FTAC40015		WATER FILTER 3/4 FF 100MS 55L/1 TC	1,00			--
0030	RCVR40209		CONNECTOR 3/4 M/F 3PZ. OT.	1,00			--
0031	RCDS00614		NIPPLE 3/4 - 3/4 SV	1,00			--
0032	RCVR40006		NIPPLE 3/4 - 3/4 D.18 L=60 PPL	1,00			--
0033	RCGR40018		TAP A SF.G3/4" F 3VIE LV.	1,00			--
0034	RCDS40288		CONNECTOR G 3/4M -3/4M D.15 C.30 OT	1,00			--
0035	VTRS11876		WASHER D.27 X34 X1,5 (3/4)COPPER	2,00			--
0036	RCDS40575		RING NUT G3/4 OT	1,00			--
0037	TBBP40162		L.P. HOSE L=1350 3/4F90° -3/4F90°	1,00			--
0038	UGLN40041		NOZZLE M4 Fp 070 lnx	1,00			--
0038	UGLN02299		NOZZLE LECH 1/4 1506	2,00			--
0039	RCVR29602		CONNECTOR D. 1/2"-5/8" PTC	1,00			--
0040	RCVR29600		SOCKET PTC 3/4 F	1,00			--
0041	RCDS87610		NIPPLE 3/4 - 1/2 CB D.13.0	2,00			--
0042	RCVR02585		SLEEVE 1/2 F A3	1,00			--
0044	TBBP40157		L.P. HOSE L=540 3/4F90° -3/4F90°	1,00			--
0046	MPVR41135		WATER TANK PW-H28 C/F.GREEN PEHD NT.	1,00			--
0048	MPVR40995		TANK COVER P190-GJ PA6 BL.	1,00			--
0049	RCGR40022		FLOATER MTM 3/4 PP. S/F. +ADP.100	1,00			--
0050	RCVR49974		RING NUT 3/4" X 4 NIK	1,00			--
0051	MPVR89078		PLATE P190 PA6 BL.	2,00			--
0052	TBBP40105		L.P. HOSE D.12-17 CRISTALL	0,08			--



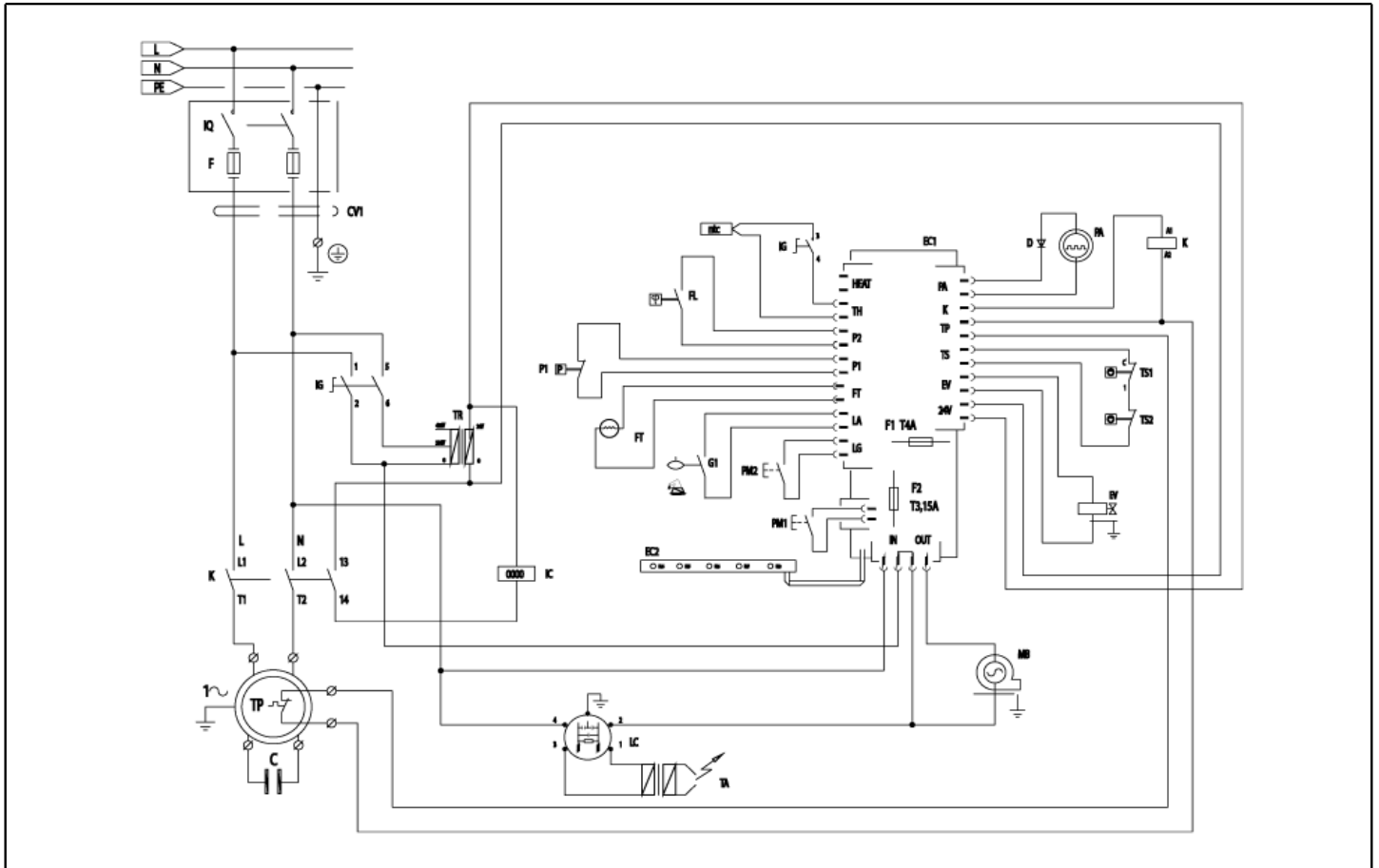
Ref. K	Part n.	Part n. 2	Description	Quantity	Validity		Price
					From	To	
0053	MPVR40990		TANK PW-H28 PEHD NT. 2V.	1,00			--
0054	RCVR89548		HOSE FITTING "L" 1/8M D.7 OT.NK	1,00			--
0055	FSVR11957		CLAMP D. 9.5-12 CLIC	1,00			--
0056	TBBP93804		L.P. HOSE D. 6- 9	0,55			--
0057	FSVR72803		CLAMP D 9.3 - 9.9	1,00			--
0058	MEPD40000		DESCALING PUMP EX4 24V 50/60HZ	1,00			--
0059	VTRS15369		WASHER D.10 X14X1 1/8	1,00			--
0060	RCVR14043		CONNECTOR DTT 1/8"M C1 D. 6/ 4 NIK	1,00			--
0086	TBBP00051		DETERGENT HOSE D. 6-12	0,55			--
0087	TBBP40161		L.P. HOSE L=610 3/4F 90° -3/4F 0°	1,00			--
0088	RCVR00563		SWIVEL RACCORD 3/8 M/F	1,00			--
0090	GUGO40115		GASKET 164X 81X3 EPDM-60	1,00	01/12/2020		--
0091	RCDS40296		CONNECTOR G 3/8F -1/4 -P/NTC +M4 30	1,00			--
0092	RCDS40294		CONNECTOR G 3/8F -1/4 +d.15 TH C.25	1,00			--
0093	LAFN40832		PLUG "U" SIST.NTC PW-H INX	1,00			--
0093	LAFN40832		PLUG "U" SIST.NTC PW-H INX	1,00			--
0094	RCDS21118		CONNECTOR KSM	1,00			--
0095	RCDS21119		NUT KSM	1,00			--
0096	RCDS40211		SUMP PW-H28 D.15 OT.	1,00			--
0097	VTRS00548		WASHER D.17,5X23X1,5 (3/8)RM	1,00			--
0097	VTRS00548		WASHER D.17,5X23X1,5 (3/8)RM	1,00			--
0098	RCDS00610		NIPPLE 3/8 - 3/8 SV	1,00			--
0099	TBAP40247		HOSE-FITTING 1/4 L=800 R1 0- 0° 3/8F	1,00			--
0100	TBAP40248		HOSE-FITTING 1/ 4 R1 L=545 3/8M -3/8F	1,00			--
0101	RCVR62626		SLEEVE 3/8 M/F L=30.5	1,00			--
0102	RCIN40053		MALE COUPLING 3/8M+M4 L=32	1,00			--
0103	MPVR40756		TANK CAP KSM C/F.	1,00			--
0105	GUVR40089		ANTI-EXTR.RING D. 6.6X11.9X1.5 PTFE	1,00			--
0106	GUGO27030		O-RING D. 6 X 3 VIT 70SH	1,00			--
0109	VTRS00549		WASHER D.21,5X27X1.5 (1/2) RM	1,00			--
0110	RCVR40217		DISJUNCTOR BA 10 G3/4-M/M 10bar +M10	1,00			--
0111	LAFN41282		SUPPORT GREEN JT. 4010 ZN	1,00			--
0112	GUGO12183		O-RING D. 23.4 X 3.53 VIT 70SH	1,00			--
0113	GUGO01043		O-RING D. 25.07 X 2.62 NBR 70SH	1,00			--
0114	LAFN41302		PLATE GREEN IX	1,00			--
0116	MEVR40027		CLIP D. 6.35 DB.	1,00			--
0117	MEVR40294		CLIP HE.TYTON	2,00			--



Ref. K	Part n.	Part n. 2	Description	Quantity	Validity		Price
					From	To	
0001	MPVR40013		CONVEYOR P176-FBX PA6 BK.	1,00	17/07/2020		--
0002	GUGO21222		O-RING D. 15.54 X 2.62 VIT 80SH	2,00			--
0003	GUVR21021		ANTI-EXTR.RING D. 21 X17 TEF.	2,00			--
0004	LAFN44149		BOILER BOTTOM P176	1,00			--
0005	ITTE44175		BOTTOM P176 C.TE	1,00			--
0006	LAFN44151		BAND P176 INX	1,00			--
0007	LAFN40037		RING D.342 P176 ZN 2V.CPL.	1,00			--
0008	LAGR48101		DOUBLE COIL M26X1.5 P176 30MT. SP.2.6	1,00			--
0009	LASL40101		INT. CYLINDER PM INX	1,00			--
0010	LAFN40468		EXT. CYLINDER PM-AUP INX	1,00			--
0011	LAFN40757		BOILER COVER SI PM-H100.30 INX	1,00			--
0012	LAFN40270		BOILER COVER SE PM INX	1,00			--
0013	LAFN44244		BAFFLE P176 30M INX	1,00			--
0014	LAFN40271		PIN CH.10 X 67.7 M5M/M5M PM	3,00			--
0015	MFVR18226		ELECTR.HOLDER FUT 3°V	1,00			--
0016	LAFN07641		PLATE INX	1,00			--
0017	MECA12525		ELECTRODE FUT	1,00			--
0018	UGBR40000		BURNER NOZZLE 1.50 60 S LE	1,00			--
0019	RCDS07642		NOZZLE HOLDER FUT	1,00			--
0020	MPVR18228		OIL WARN-LIGHT D.17 X3	1,00			--
0021	GUGO40061		GASKET D. 10- 18 X 1 NBR	1,00			--
0022	RCVR08954		ELBOW 1/8"-4 B5	1,00			--
0023	MECB34463		CABLE BT L=800 SP. FD	1,00			--
0024	MECV35334		CABLE A.T. 9.8-23KOHM/M L= 400P	1,00	01/06/2021		--
0024	MECV35334		CABLE A.T. 9.8-23KOHM/M L= 400P	2,00		31/05/2021	--
0024	MECV35335		CABLE A.T. 9.8-23KOHM/M L= 500P	1,00	01/06/2021		--
0025	TBCO40076		DIESEL HOSE GREEN JT. D. 4 IX	1,00			--
0026	LAFN40734		SUPPORT PW-H35 BK.	1,00	01/12/2019		--
0026	LAFN40734		SUPPORT PW-H35 BK.	1,00		31/01/2019	--
0026	LAFN41123		SUPPORT PW-H 2V. BK.	1,00	01/02/2019	30/11/2019	--
0027	RCVR40156		SLEEVE 1/8 M/F L= 23 OT.NK	1,00			--

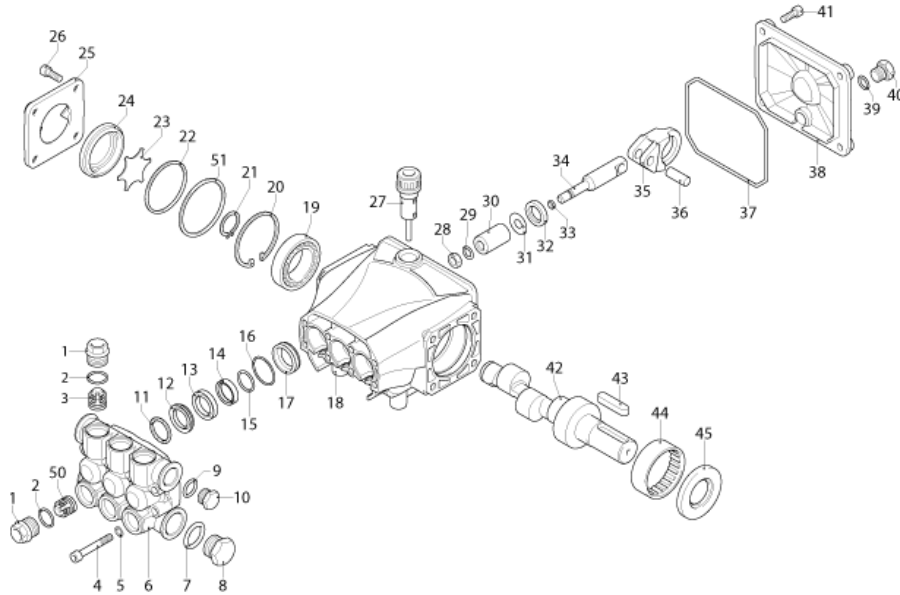


Ref. K	Part n.	Part n. 2	Description	Quantity	Validity		Price
					From	To	
0001	LAFN10272		MOTOR PLATE CB 3	1,00			--
0002	MOMB40009		BURNER MOTOR 230-50 IPX5 180W AO/C	1,00			--
0003	MPVR40665		SCROLL CB4 -2PZ.GR.	1,00			--
0004	VEVR34275		IMPELLER D.160-80 D.12.7 36P B.SX	1,00			--
0005	PPGS40005		FUEL PUMP DNF BFA 01L3R2	1,00			--
0006	RCDS11454		SUCTION L= 255 C	2,00			--
0007	GUGO40062		GASKET PW-H100 MOT.BR.	1,00			--
0008	RCDS00626		HOSE FITTING 1/4 M D. 5- 7	2,00			--
0009	VTRS04931		WASHER COPPER D.13X19X1.5	2,00			--
0010	RCVR08954		ELBOW 1/8"-4 B5	1,00			--
0011	FTCO40004		FUEL FILTER FB 7/T 60mc NYL.	1,00			--
0012	TBCO06945		L.P. HOSE D. 6-12 10BAR C.PRESS	0,85			--
0012	TBCO06945		L.P. HOSE D. 6-12 10BAR C.PRESS	0,16			--
0012	TBCO06945		L.P. HOSE D. 6-12 10BAR C.PRESS	0,78			--
0013	FSVR11197		CLAMP D.12.9-13.6	2,00			--
0014	FSVR00427		CLAMP D. 12 CLIC 66-110	2,00			--
0015	GUGO20124		GASKET KSM	1,00	17/07/2020		--
0016	MPVR40014		CONVEYOR CB4-FBX PA6	1,00			--
0017	MECB43707		CABLE DNF L=1300	1,00			--
0018	GUGO19194		O-RING D. 11.11 X 1.78 NBR 70SH	2,00			--
0019	RCDS11455		FUEL SUCT. SUPP FLL	2,00			--
0020	RCVR34780		ELBOW 1/8" M/F A10	1,00			--
0021	RCVR89230		CAP G 1/8 M C/O-RING.	1,00			--
0022	FGGT40022		JOINT V.1409 DERL.SIM	1,00	01/03/2019		--

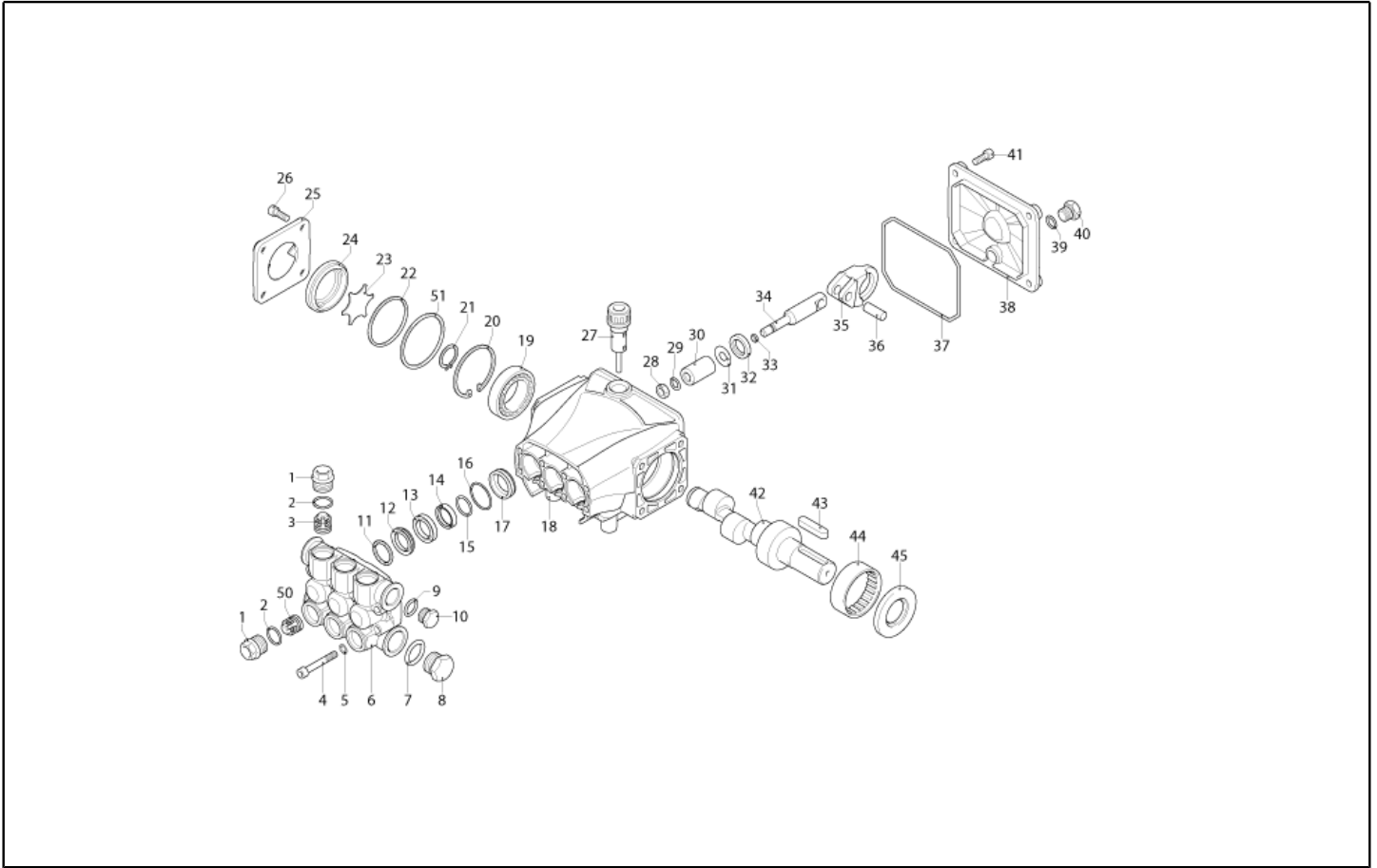


Ref. K	Part n.	Part n. 2	Description	Quantity	Validity		Price
					From	To	
C	MECO48358		CAPACITOR 60 MF 450V C.250 D.50X 90	1,00			--
K	METT40008		CONTACTOR SIE 3RT 2016-1AB01 24V	1,00		19/05/2021	--
K	METT40010		CONTACTOR SIE 3RT 2017-1AB01 24V	1,00	20/05/2021		--
EV	MEBE43704		COIL DNF 24-50	1,00			--
FL	MEPF40051		FLOW SWITCH FS-26 3/8" M 2.0L/M OT.	1,00			--
FT	MECF40008		PHOTOELET.CELL FT13/R MM1000 W	1,00			--
F1	MEVR02821		FUSE 5X20 4A T	1,00			--
F2	MEVR00237		FUSE 5X20 3,15A	1,00			--
G1	MECI40054		SWITCH REED N.C.H241 L=1100	1,00			--
IC	MESB40007		HOUR-COUNTER 24V. S.700 TN 001 IP65	1,00			--
IG	MECI40043		COMMUTAT.SWITCH BRM 0-1-2 BIP.12A +M.C12	1,00			--
LC	MECE40086		FILTER LC FAST.6.3 250V 1.6A	1,00			--
P1	MEPF40037		PRESSURE SWITCH PR 5 1/8M 15BAR	1,00			--
TA	METR88630		TRANSFORMER 23/240V-5/60HZ 2X26KV TR.	1,00			--
TR	METR41580		TRANSFORMER 50VA 400-230/50V	1,00			--
CV1	MECB27734		CABLE H07 RNF 3X1.5 L=6.500	1,00			--
EC1	MECE40096		PCB GREEN.JT. T-SI/CO -40	1,00			--
EC2	MECE40041		PCB LED PW 4/5 GR. FLT.	1,00			--
NTC	MEVR40150		PROBE NTC/150 IP65 C.1000	1,00			--
TS1	METK40022		THERMOSTAT 50°C NT-413 T85 C.1.5	1,00			--
TS2	METK40021		THERMOSTAT 110°C TK24-T02 16A 250V	1,00			--
PM12	MECI40041		SWITCH IDS P9-2B F-(0)/RO 3A	2,00			--

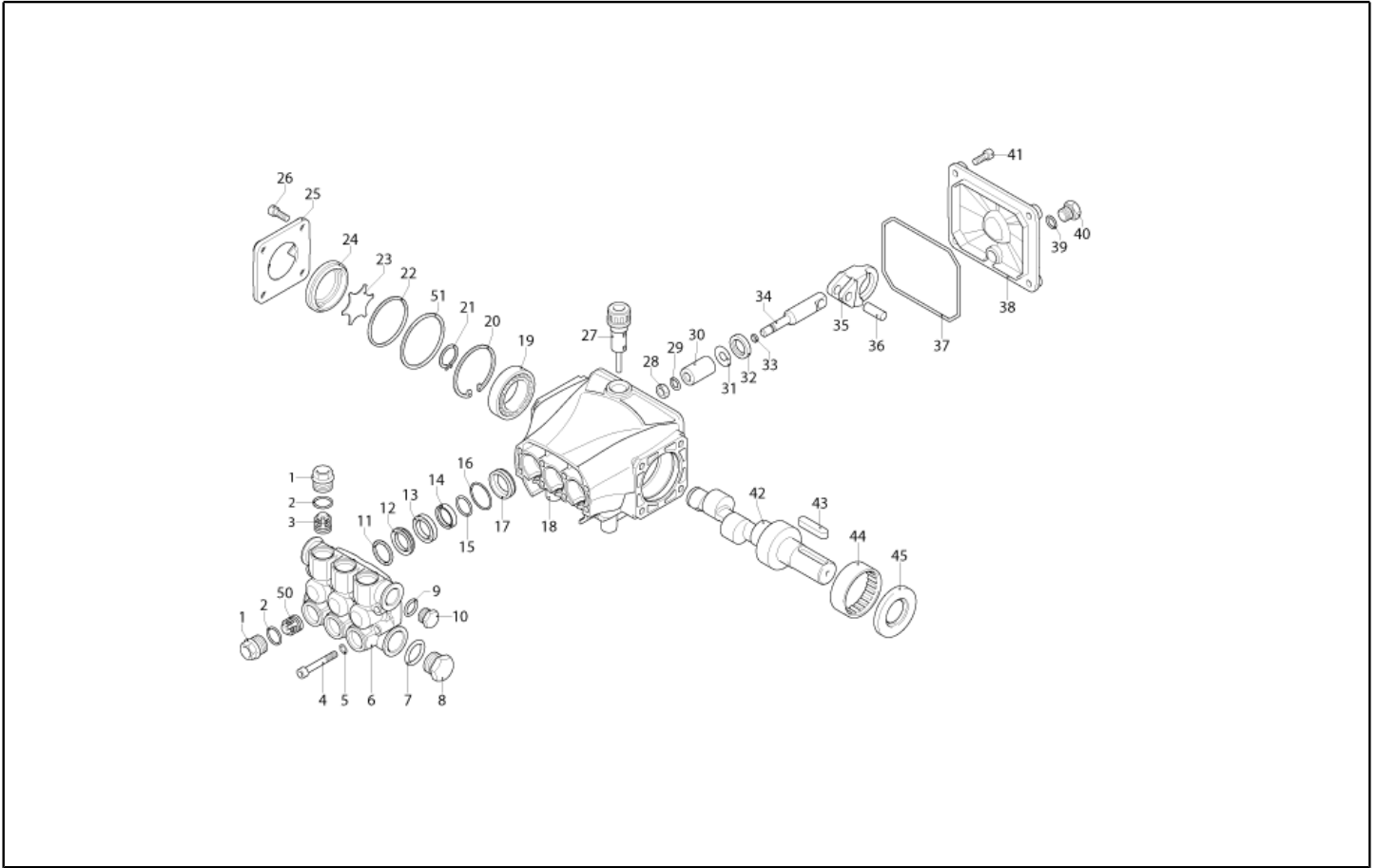




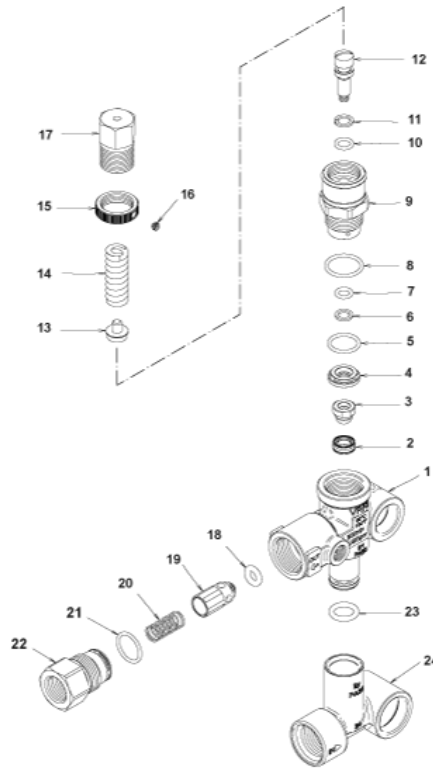
Ref. K	Part n.	Part n. 2	Description	Quantity	Validity		Price
					From	To	
0001	PVVR40120		CAP AR RC	6,00			--
0002	GUGO03505		O-RING D. 15.6 X 1.78 NBR 70SH	6,00			--
0003	S VVAM40002		VALVE UNIT RC	6,00		31/07/2012	--
0003	S VVAM40002		VALVE UNIT RC	3,00	01/08/2012		--
0004	VTVT06236		SCREW TCCE UNI 5931 6X40 ZB	8,00			--
0005	VTRS01077		WASHER D. 6.4X10X0,7	8,00			--
0006	MFVR40019		HEAD AR RC OT.	1,00			--
0007	GUGO19245		O-RING D. 17.5 X 2 NBR 70SH	1,00			--
0008	PVVR40121		CAP 1/2 M RC	1,00			--
0009	GUGO09720		O-RING D. 14 X 1.78 NBR 70SH	1,00			--
0010	PVVR40099		CAP 3/8 M HRM	1,00			--
0011	S PVVR40122		HEAD RING D. 18 RC	3,00			--
0012	S GUVR40035		PACKING D. 18 RC H.P.	3,00			--
0013	PVVR40123		INTERMED. RING D. 18 RC	3,00			--
0014	S GUVR40036		PACKING D. 18 RC L.P.	3,00			--
0015	S GUVR40037		ANTI-EXTR.RING D.21	3,00			--
0016	S GUGO19290		O-RING D. 23.52 X 1.78 NBR 70SH	3,00		31/03/2014	--
0016	S GUGO08182		O-RING D. 21.91 X 1.78 NBR 70SH	3,00	01/04/2014		--
0017	PVVR40124		PACKING RETAIN. D. 18 RC	3,00			--
0018	MFVR40020		PUMP CRANKCASE AR RC	1,00		31/03/2014	--
0018	MFVR40027		PUMP CRANKCASE AR RCS	1,00	01/04/2014		--
0019	CUVR28336		BALL BEARING 6304	1,00			--
0020	VTAE32478		CIRCLIP D. 32 UNI 7437	1,00			--
0021	VTAE06193		CIRCLIP D. 20 UNI 7435	1,00			--
0022	GUGO02561		O-RING D. 47.3 X 2.62 NBR 70SH	1,00			--
0023	PVVR40125		DISC RC	1,00		31/03/2016	--
0023	PVVR40472		OIL INDICATOR RC CPL.	1,00	01/04/2016		--
0024	PVVR40126		OIL INDICATOR RC	1,00		31/03/2016	--
0025	MFVR40021		CRANKCASE COVER AR RC LT.	1,00			--
0026	VTVT01531		SCREW TE 6X 16 UNI 5739	4,00			--
0027	PVVR19231		OIL CAP XTS	1,00		31/03/2014	--
0027	PVVR40436		OIL CAP RC	1,00	01/04/2014		--
0028	VTDD00483		NUT M 8 ZIN UNI 5588	3,00			--
0029	VTRS19394		WASHER D. 8X13X0,5	3,00			--
0030	S PIVR40005		PISTON D.18X30 RC	3,00			--
0031	PVVR19233		DISC XTS	3,00			--
0032	S GUGO09690		OIL SEAL 15X 24X 5 NBR70	3,00			--
0033	GUGO08071		O-RING D. 4.48 X 1.78 NBR 70SH	3,00			--
0034	PVVR40127		PISTON GUIDE RC	3,00			--
0035	BLVR40001		CONNECTING ROD RC	3,00			--
0036	PVVR40128		GUDGEON D. 9X23 RC	3,00			--
0037	GUGO18695		O-RING D. 101.27 X 2.62 NBR 70SH	1,00			--
0038	MFVR40022		CRANKCASE COVER AR RC	1,00			--
0039	GUGO01036		O-RING D. 10.82 X 1.78 NBR 70SH	1,00			--



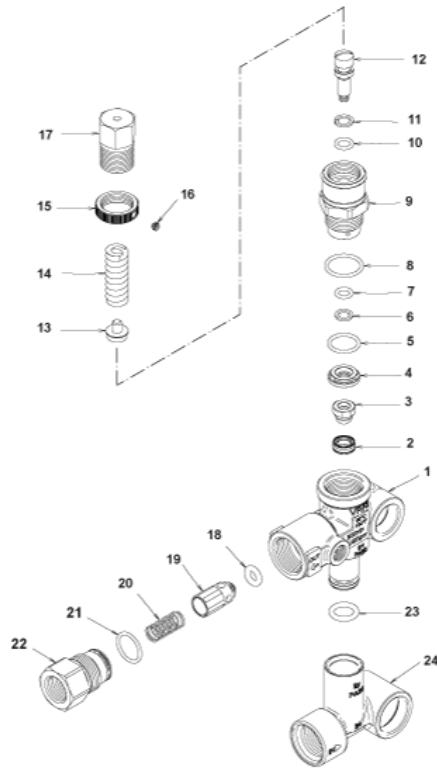
Ref. K	Part n.	Part n. 2	Description	Quantity	Validity		Price
					From	To	
0040	PVVR40129		CAP 1/4 M RC	1,00			--
0041	VTVT09913		SCREW TCEI 6X16 UNI5931	4,00			--
0042	ALMO40007		SHAFT AR RC 10LT VRS. N	1,00			--
0043	VTVR41531		KEY 8X 7X35 UNI 6604A	1,00			--
0044	CUVR23636		ROLLER BEARING HK 4516	1,00			--
0045	S	GUGO00999	OIL SEAL 25X 52X 7 NBR70	1,00			--
0050	S	VVAM40007	VALVE UNIT RC ASP. BK	3,00	01/08/2012		--
0051	PVVR40437		RING D. 51.8 X0.5	1,00	01/04/2014		--



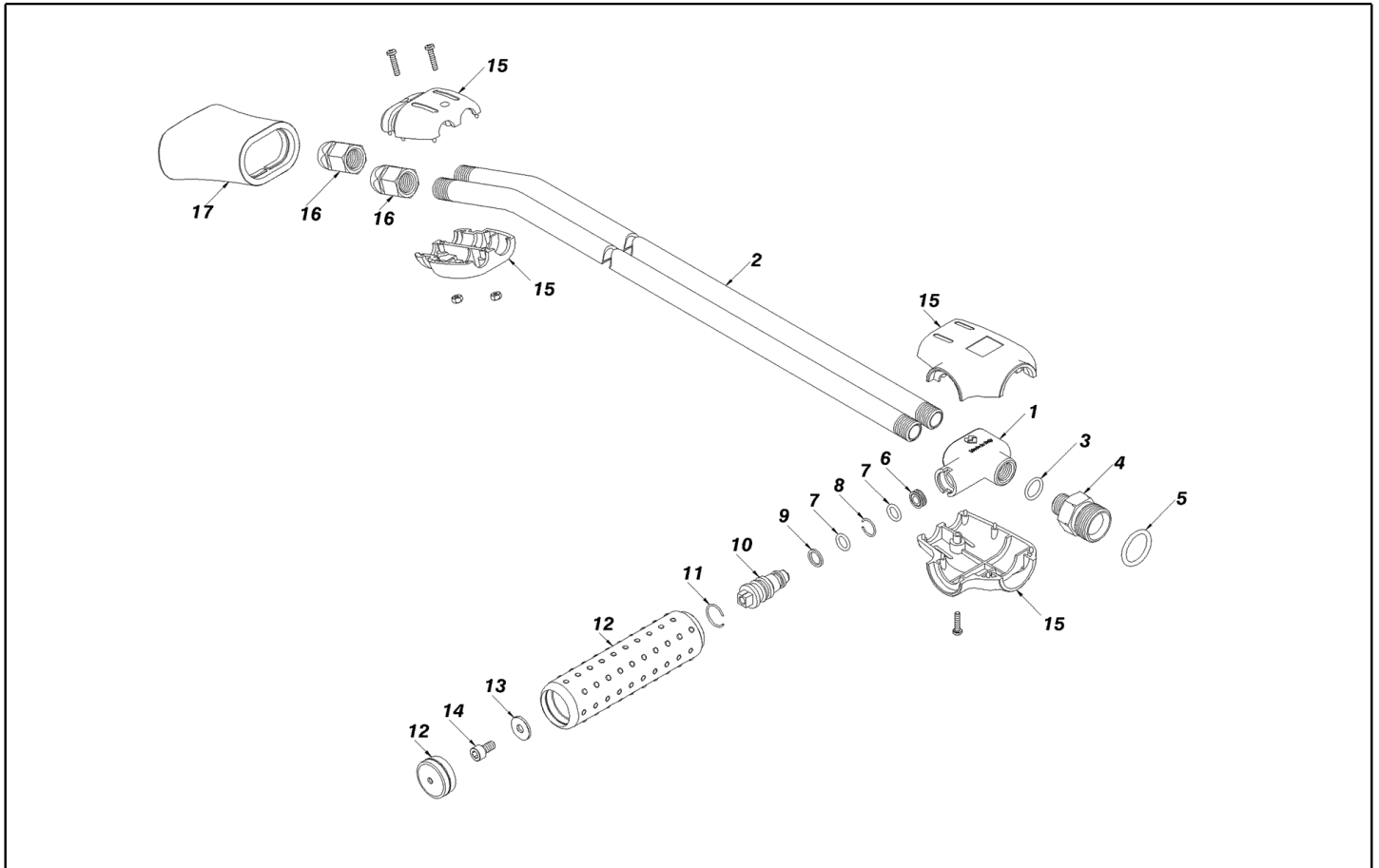
Ref. Part n.	Part n. 2	Description	Reference	Price
KTRI40092		KIT P 15-2186 RC	0003	--
KTRI40093		KIT P 15-42917 RC	0030	--
KTRI40094		KIT P 15-42919 D.18 RC	0012 0014 0015 0016	--
KTRI40095		KIT P 15-42903 D.18 RC	0011	--
KTRI40096		KIT P 15-42918 RC	0032 0045	--
KTRI40207		KIT P 15-42914 RC 3+3 BL./WH.	0003 0050	--



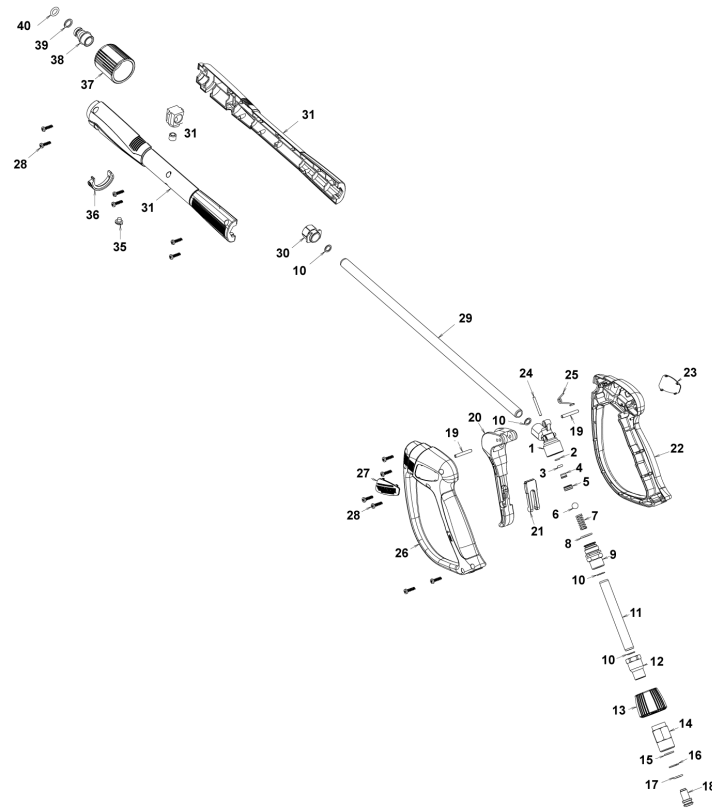
Ref. K	Part n.	Part n. 2	Description	Quantity	Validity		Price
					From	To	
0001	PVVR40375		VALVE BODY VRF2 +G1/8 F	1,00			--
0002	S	PVVR40363	VALVE SEAT MV124 +OR	1,00			--
0003	S	PVVR40364	COUPLING MV124	1,00			--
0004	S	PVVR40365	SPACER MV124	1,00			--
0005	S	GUGO12322	O-RING D. 14 X 1.78 NBR 90SH	1,00			--
0006	S	GUVR40072	ANTI-EXTR.RING D. 6.5X 9.4	1,00			--
0007	S	GUGO83861	O-RING D. 6.07 X 1.78 NBR 90SH	1,00			--
0008	S	GUGO24913	O-RING D. 17.17 X 1.78 NBR 90SH	1,00			--
0009	S	PVVR40366	CONNECTOR VRF2 D.10	1,00			--
0010	S	GUGO03500	O-RING D. 6.75 X 1.78 NBR 70SH	1,00			--
0011	S	GUVR40073	ANTI-EXTR.RING D. 7.1X10 X1.2 TBT	1,00			--
0012	S	PVVR40367	SMALL PISTON D.10 VRF2	1,00			--
0013		PVVR40368	SPRING PLATE MV124 25B	1,00			--
0014		MLML40027	SPRING D. 3.0/6.0 X38.85	1,00			--
0015		PVVR40369	RING NUT MV167.09	1,00			--
0016		VTVT89696	SCREW EI-ST 4X 4 UNI5927 ZC	1,00			--
0017		PVVR40370	CAP VRF2 M18X1	1,00			--
0018	S	GUGO46053	O-RING D. 6 X 3 NBR 90SH	1,00			--
0019	S	PVVR40349	COUPLING VRT3	1,00			--
0020	S	MLML40026	SPRING VRT3	1,00			--
0021		GUGO12321	O-RING D. 15.6 X 1.78 NBR 90SH	1,00			--
0022		PVVR40350	CONNECTOR VRT3 G 3/8F	1,00			--
0023		GUGO11225	O-RING D. 10.78 X 2.62 NBR 70SH	1,00			--
0024		PVVR40373	CONNECTOR VRF2.24	1,00			--



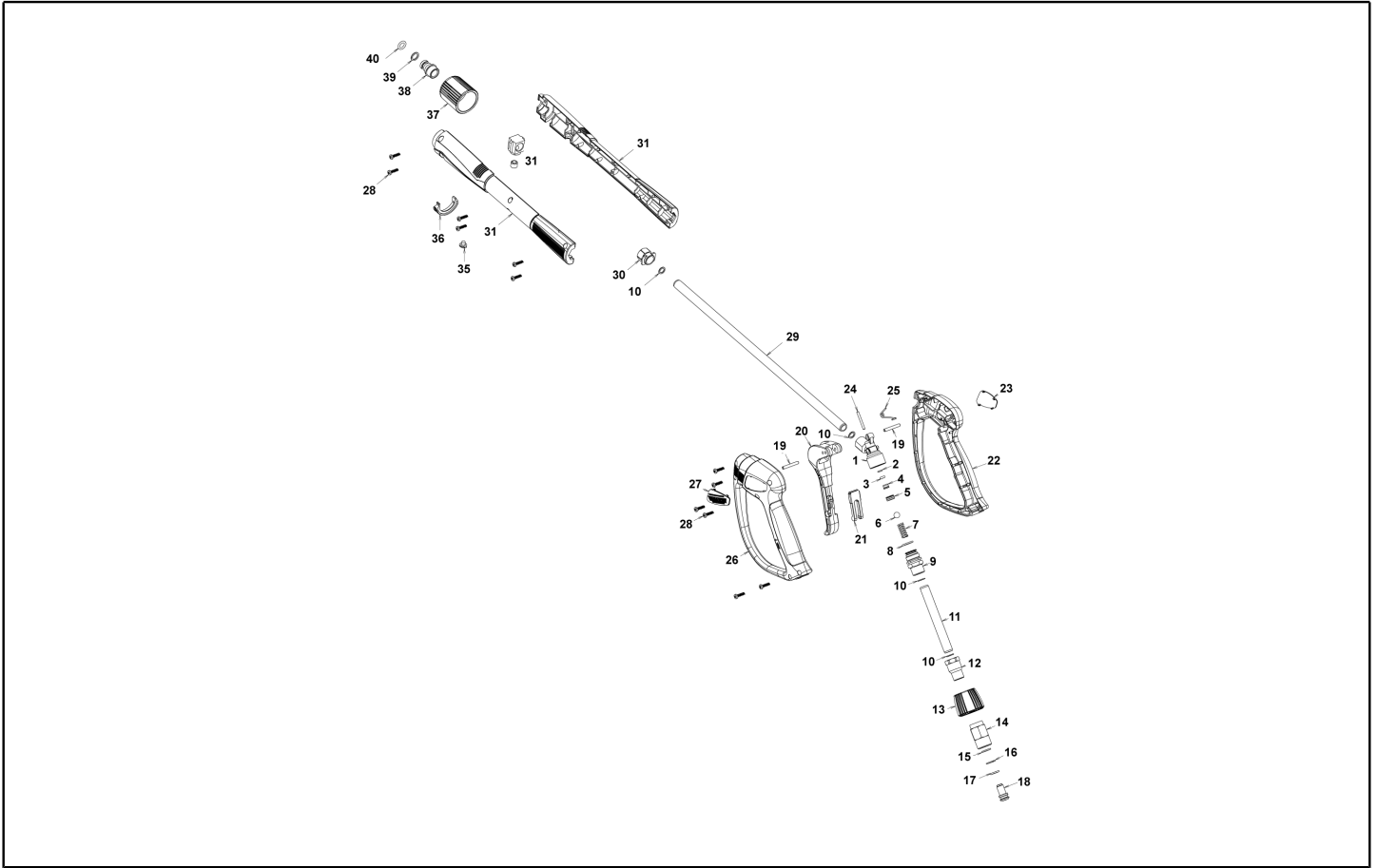
Ref. Part n.	Part n. 2	Description	Reference	Price
KTRI40236		KIT P 14-103 VRF2	0002 0003 0004 0005 0006 0007 0008 0009 0010 0011 0012 0018 0019 0020 0021	--
KTRI40237		KIT P 14-104 SET GUARNIZIONI	0002 0003 0005 0006 0007 0008 0010 0011 0018 0021	--



Ref. K	Part n.	Part n. 2	Description	Quantity	Validity		Price
					From	To	
0001	RCGR40000		TAP BODY L.DOP. 1/4" MV INX	1,00			--
0002	LCPR40000		TUBE 1/4 L=700 CROM.	2,00		30/11/2009	--
0002	LCPR40107		TUBE 1/4 L=700 INX.	2,00	01/12/2009		--
0003	GUGO19194		O-RING D. 11.11 X 1.78 NBR 70SH	1,00		30/09/2010	--
0003	VTRS04931		WASHER COPPER D.13X19X1.5	1,00	01/10/2010		--
0004	RCIN46781		MALE COUPLING MV 1/4 -M 22 M	1,00			--
0005	GUGO01056		O-RING D. 18.72 X 2.62 NBR 70SH	1,00			--
0006	PVVR40019		BUSHING MV LD	1,00			--
0007	GUGO06988		O-RING D. 7.66 X 1.78 NBR 70SH	2,00			--
0008	PVVR40020		CIRCLIP LD MV D. 8	1,00			--
0009	GUGO40002		ANTI-EXTR.RING D. 8 NBR	1,00			--
0010	PVVR40021		REGULAT. SCREW LD MV INX	1,00			--
0011	PVVR46783		CIRCLIP LD MV	1,00			--
0012	PVVR46784		KNOB LD MV +CAP	1,00			--
0013	VTRS15958		WASHER UNI 6592 5X15X1,5 ZB	1,00			--
0014	VTVT17639		SCREW TCEI M 5X10 UNI 5931	1,00			--
0015	MPVR46786		PROTECTION LD/TB MV	1,00			--
0016	RCVR46787		NOZZLE HOLDER 1/4-1/4 F MV	12,00			--
0017	PVVR46788		PROTECTION LD MV	1,00			--



Ref. K	Part n.	Part n. 2	Description	Quantity	Validity		Price
					From	To	
0001	PVVR40381		GUN BODY G 5100 G1/4F	1,00			--
0002	S	GUVR40074	ANTI-EXTR.RING D. 3 X 7.4X1.3	1,00			--
0003	S	GUGO21835	O-RING D. 2.84 X 2.62 VIT. 80SH	1,00			--
0004		PVVR40382	PISTON GUIDE G 5100	1,00			--
0005	S	PVVR40563	BALL SEAT AL36 G6000 + OR	1,00			--
0006	S	SFVR40004	BALL D. 5/16" ALL.GR16	1,00			--
0007		MLML40047	SPRING D. 9.4 x23.5x1.6 G6000	1,00			--
0008		GUGO12322	O-RING D. 14 X 1.78 NBR 90SH	1,00			--
0009		PVVR40383	CONNECTOR COLL.G5100 1/4F	1,00			--
0010		VTRS40017	WASHER D. 8.2X11,4X1.00	4,00			--
0011		PVVR40384	TUBE G 1/4" L.105	1,00			--
0012		RCIN40022	CONNECTOR SWIV G5100 1/4F	1,00			--
0013		MPVR40967	RING NUT G 6000 SW. GR.	1,00			--
0014		RCIN40021	JOINT SWIV 5100 M22	1,00			--
0015	S	GUVR40075	ANTI-EXTR.RING D. 10 X14X1.5	1,00			--
0016	S	GUVR40076	ANTI-EXTR.RING D. 11.2X14X1.2	1,00			--
0017	S	GUGO15295	O-RING D. 10.82 X 1.78 VIT 75SH	1,00			--
0018		PVVR40386	SCREW SW. G 5100	1,00			--
0019		VTVR40047	PLUG D. 4X29	2,00			--
0020		MPVR40820	TRIGGER G 6000-SW	1,00			--
0021		MPVR40821	SAFETY-DEVICE G 6000-SW	1,00			--
0022		MPVR40822	SHELL G 6000-SW DX	1,00			--
0023		MPVR40968	PLATE G 6000/2 GR.DX	1,00			--
0024		PVVR40564	SMALL PISTON G 6000 AL36 SP.	1,00			--
0025		MLML40029	SPRING G 5100	1,00			--
0026		MPVR40824	SHELL G 6000-SW SX	1,00			--
0027		MPVR40825	PLATE G 6000 GR.SX	1,00			--
0028		VTVT40043	SCREW AF 4X 14 HILO ZN.N	12,00			--
0029		LCPR40181	TUBE 1/4 L=416 ZC. 0°	1,00			--
0030		MPVR40493	CONNECTOR G 5100-SW	1,00			--
0031		MPVR40494	PROTECTION P 420 C/AN.	1,00			--
0035		MPVR40198	CAP G 5000	1,00			--
0036		MPVR40495	CAP G 5100 REM.	1,00			--
0037		PVVR40119	CONNECTION M22X1,5 IRV G5000	1,00			--
0038		RCIN40048	GUDGEON G 1/4 F IRV G6000/2	1,00			--
0039		GUVR40034	ANTI-EXTR.RING D. 10 X14	1,00			--
0040		GUGO63555	O-RING D. 9.3 X 2,4 VIT 75SH	1,00			--



Ref. Part n.	Part n. 2	Description	Reference	Price
KTRI40243		KIT P 26- 26 SWIVEL G 5100	0015 0016 0017	--
KTRI40513		KIT P 26- 36 G 6000/II	0002 0003 0005 0006	--